



# MARS X

User Manual

V1.6.0



**HOLLYVIEW**

Powered by Hollyland



## DESCRIPTION

Thank you for purchasing Hollyland MARS X wireless HD video transmission system. The product uses the latest coding, decoding technology, and 5G wireless transmission technology and can achieve ultra-low latency wireless video transmission. MARS X transforms a tablet or a smartphone into a monitor. The device is very portable, easy to carry and to operate. It supports three users monitoring the video in real-time. It has a transmission range over 300ft with a clean line of sight (LOS), with a 150ft suggested best performance range, supports up to 1080P 60Hz image resolution, and in the end, achieves full HD HDMI video transmission.

## KEY FEATURES

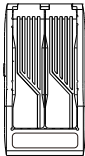
- 300ft Transmission Range (LOS)
- Up To 3 iOS and Android Devices Monitoring
- Ultra-Low Latency, <0.07s
- HDMI in With Various Resolution Formats
- APP Firmware Upgrade
- Type-C (5V-12V) Wide Voltage Power Charging
- Built-In 1300mA Lithium Battery
- OLED Display Screen
- Collapsible Antennas

## DESCRIPTION

### ■ APPLICATIONS

- Camera Viewfinder
- Indie Filmmaking
- YouTubing
- Commercial
- Documentary
- Corporate Event

## PACKING LIST



①



②



③



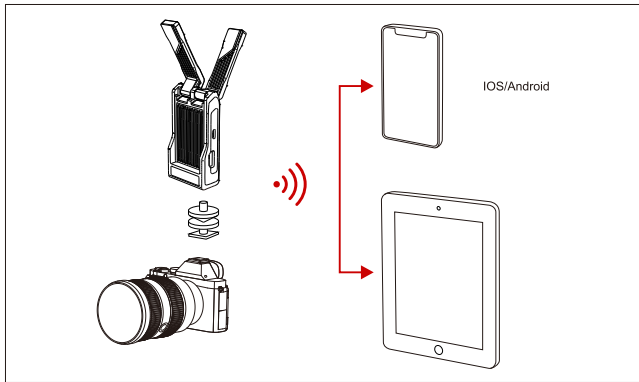
④



⑤

- |                              |    |
|------------------------------|----|
| ① Transmitter                | x1 |
| ② Type-C to Type-A USB Cable | x1 |
| ③ User Manual                | x1 |
| ④ Cold Shoe to 1/4"-20 Mount | x1 |
| ⑤ Storage Bag                | x1 |

## TYPICAL SETUP



### APP Monitoring Feature

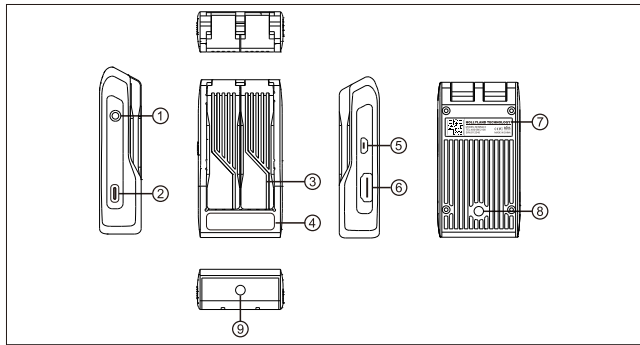
1. Turn MARS X and the camera on. Connect both devices via an HDMI cable.
2. Set the camera video output format to P. The OLED screen of MARS X will indicate the video format.



## TYPICAL SETUP

3. Check the MARS X's device ID on the back of the device marking. Enter the WiFi setting on your mobile device. Find and connect to the WiFi that starts with HLD. The password can be found on the device by double-pressing the POWER/CHANNEL button (default password: 12345678). Once it is successfully connected, go back to the HollyView APP to monitor the feed.

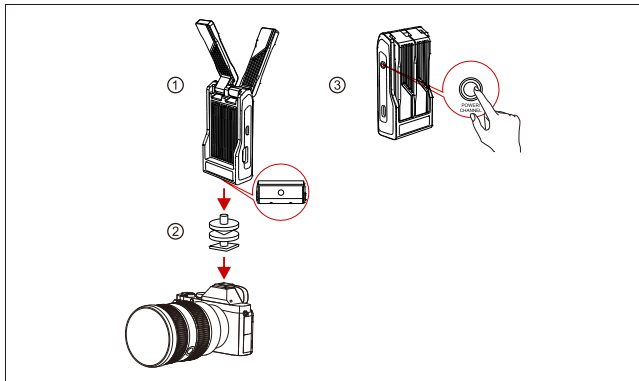
## PRODUCT INTERFACES



### TRANSMITTER

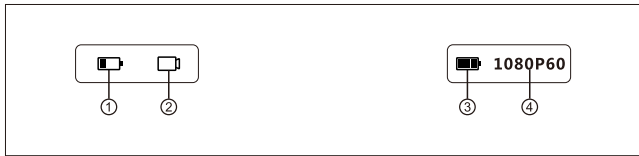
- ① Multi-Functional Button
- ② USB Type-C Charging Interface
- ③ Collapsible Antenna
- ④ OLED Display Screen
- ⑤ Micro USB Interface
- ⑥ HDMI Input
- ⑦ QR Code & Serial Number
- ⑧ 1/4 Screw Hole
- ⑨ 1/4 Screw Hole

## DEVICE INSTALLATION

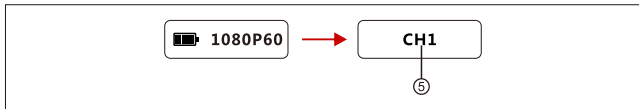


- ① Adjust the antenna angle as demonstrated.
- ② Mount MARS X to the camera by the cold shoe.
- ③ Long press the multi-functional button for about 3 seconds to turn the system on.

## OLED DISPLAY INTERFACE

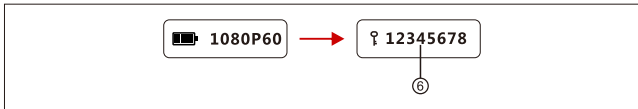


- ① When the battery status on the OLED screen starts to flash, it indicates the device battery is very low. The battery sign will start to flash 10 minutes in advance before the battery dies. When the battery is low, use the USB Type-C interface to charge MARS X to make sure the device performs normally.
- ② When the OLED displays this status, it means no video source is detected.
- ③ When the OLED displays this status, it means the battery is fully charged.
- ④ When the OLED displays this status, it means the video input is 1080P60.



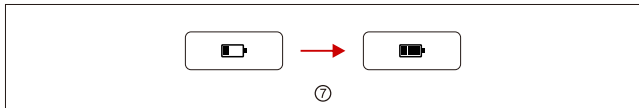
## OLED DISPLAY INTERFACE

- ⑤ When the OLED screen displays the video input format, single-press the POWER/CHANNEL button to change the resolution display to the current frequency channel. On the frequency interface, single press the button again to switch to the next channel. Select the ideal channel and stop pressing the button. After 3 seconds, the system will confirm the channel automatically, and then the screen will go back to the battery status and resolution format interface.



- ⑥ When the OLED screen displays the video input format, double press the POWER/CHANNEL button to check the device's WiFi password. The default password from the factory is "12345678".

## OLED DISPLAY INTERFACE



- ⑦ When the device is powered off and is being charged, the OLED screen flashes the battery status. When the battery is fully charged, the OLED displays with a still icon of a three-bar battery status.

## DEVICE UPGRADE

1. Enter the WiFi setting on your mobile device, and connect to the MARS X's WiFi. Enter "Me" on the Hollyview APP.
2. If there is a red dot on the "Firmware Update", click it and it will download the latest firmware (need to select an available network).
3. After downloading the firmware, enter the WiFi setting on your mobile device and connect to the MARS X's WiFi again.
4. Select the Firmware Update and it will transfer the firmware and update automatically. MARS X OLED will display "Upgrade OK" and restart automatically when finishing upgrading.

## APP MONITORING

Left – Android Download QR Code, Right – iOS Download QR Code. The application name is "HollyView". It is available on Hollyland's official website, and Android APP store or iOS App Store.



### Android Systems

1. Scan the above QR code for Android to download the "HollyView" APP.
2. Use method:

Enter the WiFi setting on your mobile device. The MARS X's Wi-Fi name is comprised of "HLD" and the device ID. Input the WiFi password to connect the mobile device to MARS X. Once it is successfully connected, go back to the HollyView APP to monitor the feed.



## ■ iOS Systems

1. The application name is "HollyView". It is available in the APP store.
2. The use methods are the same as described above for Android systems.

## PARAMETERS

<b>Interface</b>	HDMI Input (Type A Female);USB Type-C Power Interface Micro USB
<b>Power Consumption</b>	<4W
<b>Work Temperature</b>	-10~+60
<b>Display Size</b>	0.69"
<b>Net Weight</b>	130g
<b>Maximum Device Connections Allowed</b>	3 Devices
<b>Dimension</b>	L x W x H (Antennas Collapsed): 50*50*18mm L x W x H (Antennas Opened): 155*50*18mm
<b>Input Video Format</b>	HDMI:480p60, 576p50,720p50/59.94/60 1080p23.98/24/25/29.9/30/50/59.94/60
<b>Frequency</b>	5GHz
<b>Modulation Mode</b>	OFDM
<b>Transmission Distance</b>	>100m
<b>Transmission Power</b>	Maximum 20dBm
<b>Transmission Latency</b>	70ms
<b>Bandwidth</b>	20MHZ
<b>Built-In Battery Life for Each Charge</b>	>1 Hour

## PARAMETERS

<b>Battery Charging Time</b>	2.5 Hours
<b>Low-Battery Warning Voltage</b>	3.65V
<b>USB Type-C Power Supply Range</b>	5~12V
<b>Default WiFi Password</b>	12345678

### ■ Device Connection Issues

1. Check and make sure that the transmitter is on the powering on status. If the display is off, long-press the POWER/CHANNEL button for 3 seconds to turn the device on.
2. Check if the battery is too low. Charge the system if that is the case.
3. Try to change to another channel and to connect the devices again, for there might be interference on the current channel.
4. When powering the device by the Type-C interface, make sure the power is above 5V 1A, otherwise, the system won't be able to operate normally.

### ■ Display Issues

1. Check if the video source is connected to the HDMI IN interface correctly.
2. Check if the MARS X OLED displays the video format. If not, check if the HDMI cable connected to the transmitter is correctly connected with the camera and if the camera has a video output.
3. Check if the camera output interface type is HDMI.
4. Check if the format of the camera output is HDMI, and make sure the video format is P.

### ■ APP Connection Issues

1. Check the mobile device connection number. The system can connect up to 3 devices.
2. If the signal is lost in the middle of the monitoring, go to the WiFi setting of your mobile device and check if it is still connected to the MARS X's WiFi. Some devices have a strong tendency to select the WiFi with a stronger network automatically; therefore causes the monitoring break.
3. If the APP on the mobile device fails to monitor the feed, check if the MARS X's WiFi exists in the device's WiFi setting. If not, restart the system.
4. If the MARS X's WiFi cannot be connected, check the WiFi password by double-pressing the POWER/CHANNEL button on the system. The default password from the factory is "12345678".

### ■ Transmission Range Issues

1. Check if there is 5G WiFi interference in the surroundings. Switch to a another frequency channel.
2. Check if there are cracks on the antennas that could shorten the transmission range.
3. Different mobile devices have different WiFi functionalities; therefore they might have different transmission ranges. Better WiFi functionality has a bigger transmission range.
4. Different mobile devices have different decoding abilities. Under nominal line of sight, the monitoring might freeze.





 HollylandTech

 HollylandTech

 HollylandTech

 sales@Hollyland-tech.com

 www.hollyland-tech.com



**SHENZHEN HOLLYLAND TECHNOLOGY CO., LTD**

---

8F, 5D Building, Skyworth Innovation Valley, Tangtou, Shiyuan, Baoan District Shenzhen, China.