

Thank you for buying Aputure F10 Fresnel.

The Aputure F10 Fresnel is an optical accessory for the LS600d, LS300d, LS300d II, LS120d and LS120d II, and is compatible with other brands with Bowens Mount.

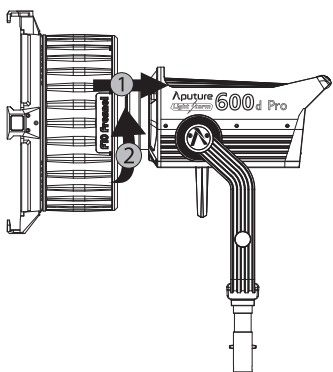
The main function

The luminance of the lamp can be increased by 4~9 times, and the beam Angle (15°~45°) can be adjusted.

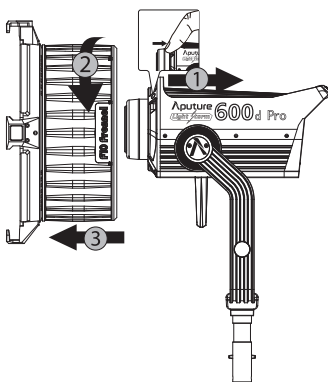
Packing list

- F10 Fresnel *1
- Carrying Case *1
- Product manual *1

Install

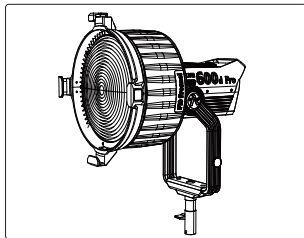


Unlock

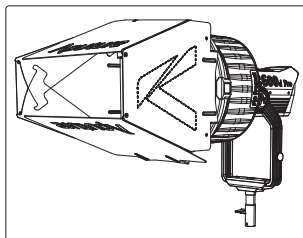


Multiple usage

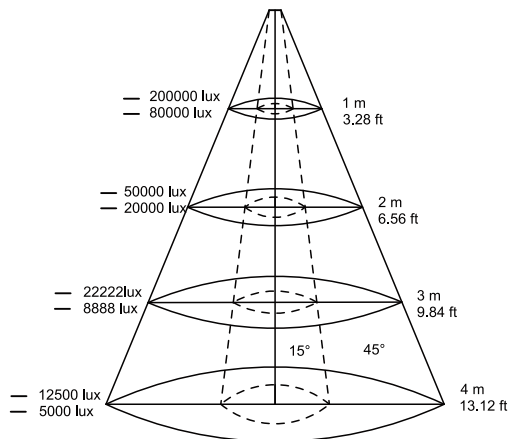
1. Use with photographic lights



2. Use with Aputure F10 Barn Doors



Illumination distribution map (LS 600d Pro)



* This is an averaged result, the number might be slightly different on each light.

- Spot
- Flood

Detailed product manual can be found on www.aputure.com.

Aputure

GUARANTEE CARD

Serial No.	
Item Name	
Purchase Date	
Buyer Name	
Buyer Phone	
Buyer Add	
Franchiser Seal	

Aputure
Inspection: Qualified
Aputure Imaging Industries Co., Ltd.
Add: F/3, Building 21, Longjun Industrial Estate, Heiping West Road, Shenzhen, Guangdong

Service Warranty (EN)

Aputure Imaging Industries Co., Ltd. warrants the original consumer purchaser from defects in material and workmanship for a period of one (1) year after the date of purchase. For more details of warranty visit www.aputure.com

Important: Keep your original sales receipt. Be sure the dealer has written on it the date, serial No. of the product. This information is required for warranty service.

This warranty does not cover:

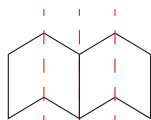
- Damage that is the result of misuse, abuse, accident (including but not limited to damage by water), faulty connection, defective or maladjusted associated equipment, or the use of the product with equipment for which it was not intended.
- Cosmetic defects that appear more than thirty (30) days after the date of purchase. Cosmetic damage caused by improper handling is also excluded.
- Damage that occurs while the product is being shipped to whoever will service it.

This warranty is void if:

- The product identification or serial No. label is removed or defaced in any way.
- The product is serviced or repaired by any one other than Aputure or an authorized Aputure dealer or service agency.

Aputure Imaging Industries Co., Ltd.
Add: F/3, Building 21, Longjun Industrial estate,
Heiping West Road, Shenzhen, Guangdong
E-MAIL: cs@aputure.com
Sales Contact: (86)0755-4328559-613

折页方式:



为折线(不印刷)

折页成型 (英文在正面):



Aputure 深圳市爱图仕影像器材有限公司

设计项目	172说明书	图号	AP-172-PR-01
尺寸(mm)	315*140mm 折页尺寸: 105*140mm	版本	V1.0
材质工艺	70g 书纸, 正反两面印刷	设计师	Ingrid
备注	料号: 517200120001	日期	20201014